

CLC730231 Quad High Speed SOIC Op Amp Evaluation Board

General Description

The CLC730231 evaluation board is designed to aid in the characterization of National Semiconductor's High Speed quad SOIC operational amplifiers.

Use the evaluation board as a guide for high frequency layout and as a tool to aid in device testing and characterization.

The evaluation board schematic is shown below in *Figure 1*. Refer to the product data sheets for recommendations for component values.

Basic Operation

By changing RIN and ROUT different input and output impedances can be matched. The SMA connectors and board traces are optimized for 50 to 75Ω operation. Other impedances can be matched but performance may be noticeably different, especially high frequency response. Even with optimal layout board parasitics play a large part in high frequency performance and different termination resistors will change the frequency of the dominant parasitic poles/zeros.

Layout Considerations

Printed circuit board layout and supply bypassing play major roles in determining high frequency performance. When designing your own board use these evaluation boards as a guide and follow these steps to optimize high frequency performance:

1. Use a ground plane
2. Include large (~6.8 μF) capacitors on both supplies.
3. Near the device use .01 μF ceramic capacitors from both supplies to ground C1, C2.
4. Remove the ground and power planes from under and around the part, especially the input and output pins.
5. Minimize all trace lengths

6. Use terminated transmission lines for long traces.

Sample artwork for the CLC730231 Evaluation board is included on the next page in *Figure 2*.

Inverting Operation

With slight modification this board can be modified for inverting operation. Cut the input trace between the SMA connector and the RIN resistor leaving RIN connected to the non inverting pin (the non-inverting input needs a DC bias current path). Solder a resistor between the input line and the inverting input side of R_F (the side closest to the input trace). Leave R_G empty and all other components should be loaded as marked. For matching input impedance a parallel terminating resistor can be added from the input line to the unused ground pad from the empty R_G space. The necessary trace cuts are shown in *Figure 4*.

Measurement Hints

The board is designed for 50Ω input and output connections into coaxial cables. For other impedances the terminating resistors can be modified to help match different impedances.

Do not use normal oscilloscope probes to test these circuits. The capacitive loading will change circuit performance drastically. Instead use low impedance resistive divider probes of 100 to 500Ω. See *Figure 3* for a sample resistive probe. The Low impedance resistor should be 50- 450Ω. The ground connection should be as short as possible (~1/2"). Even with careful use of these probes results should be considered preliminary until verified with controlled impedance measurements. Even the best probes will interfere with circuit operation to some degree. Also, tools, power cables, fingers etc. near the device will change measurement results often dramatically.

Measurement Hints (Continued)

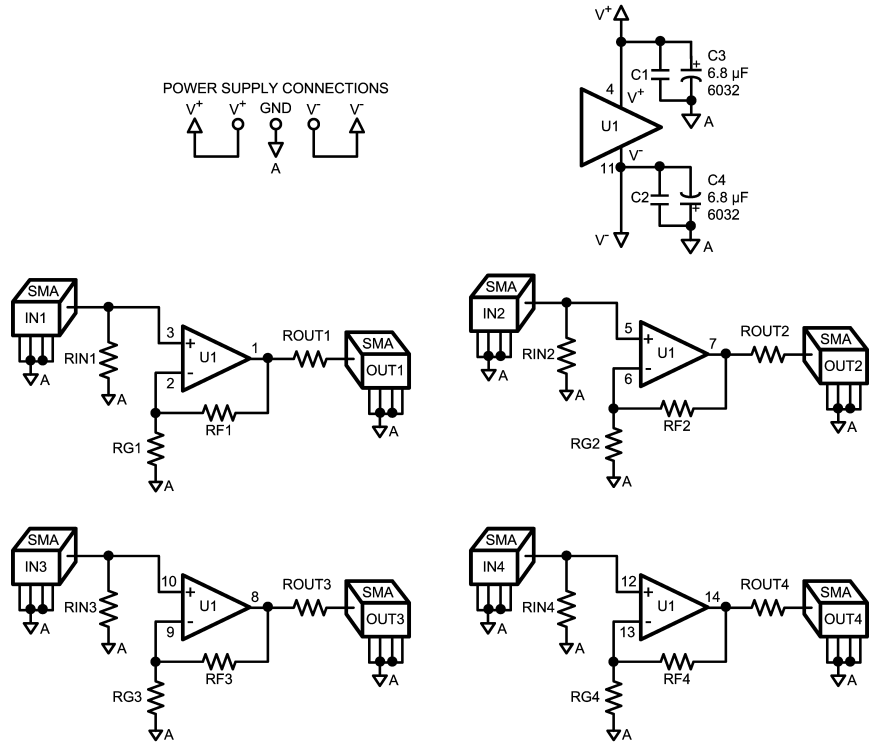


FIGURE 1. Board Schematic

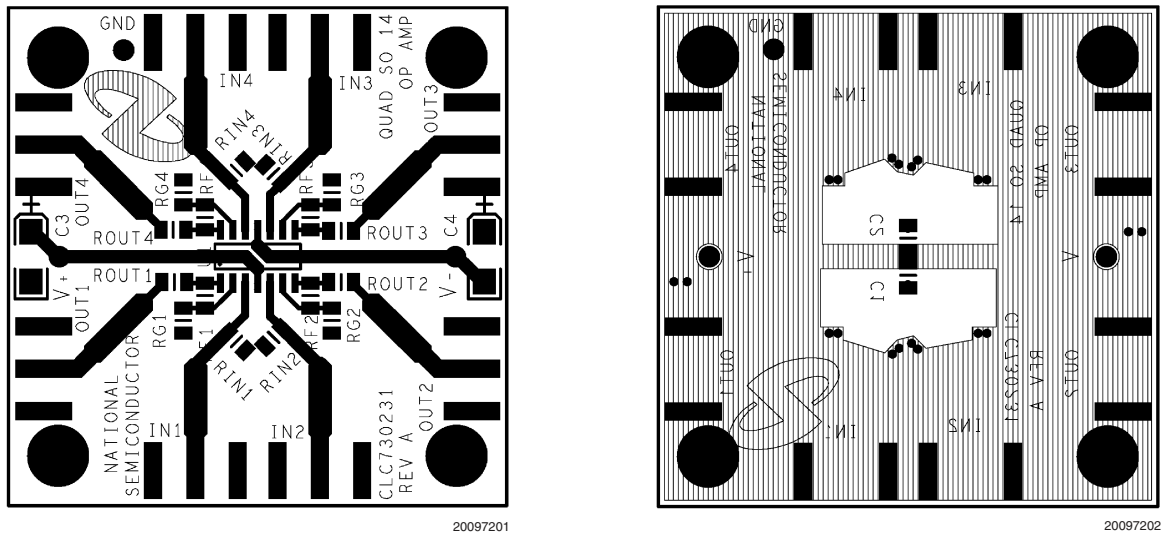
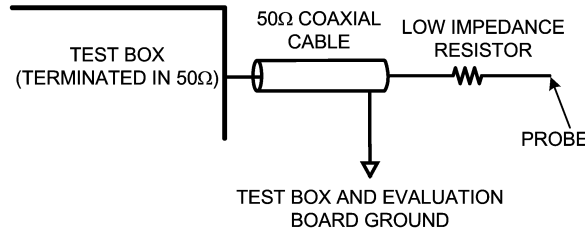


FIGURE 2. Board Layout (Actual size = 2" x 2")

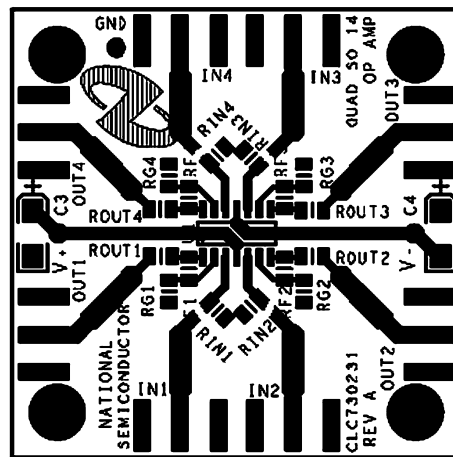
Measurement Hints (Continued)



$$\text{PROBE ATTENUATION} = \frac{50}{R + 50}$$

20097204

FIGURE 3. Probe Schematic



20097205

FIGURE 4. Inverting Operation Modifications

LIFE SUPPORT POLICY

NATIONAL'S PRODUCTS ARE NOT AUTHORIZED FOR USE AS CRITICAL COMPONENTS IN LIFE SUPPORT DEVICES OR SYSTEMS WITHOUT THE EXPRESS WRITTEN APPROVAL OF THE PRESIDENT AND GENERAL COUNSEL OF NATIONAL SEMICONDUCTOR CORPORATION. As used herein:

1. Life support devices or systems are devices or systems which, (a) are intended for surgical implant into the body, or (b) support or sustain life, and whose failure to perform when properly used in accordance with instructions for use provided in the labeling, can be reasonably expected to result in a significant injury to the user.
2. A critical component is any component of a life support device or system whose failure to perform can be reasonably expected to cause the failure of the life support device or system, or to affect its safety or effectiveness.

BANNED SUBSTANCE COMPLIANCE

National Semiconductor certifies that the products and packing materials meet the provisions of the Customer Products Stewardship Specification (CSP-9-111C2) and the Banned Substances and Materials of Interest Specification (CSP-9-111S2) and contain no "Banned Substances" as defined in CSP-9-111S2.



National Semiconductor
Americas Customer Support Center
Email: new.feedback@nsc.com
Tel: 1-800-272-9959

National Semiconductor
Europe Customer Support Center
Fax: +49 (0) 180-530 85 86
Email: europe.support@nsc.com
Deutsch Tel: +49 (0) 69 9508 6208
English Tel: +44 (0) 870 24 0 2171
Français Tel: +33 (0) 1 41 91 8790

National Semiconductor
Asia Pacific Customer Support Center
Email: ap.support@nsc.com

National Semiconductor
Japan Customer Support Center
Fax: 81-3-5639-7507
Email: jpn.feedback@nsc.com
Tel: 81-3-5639-7560

www.national.com